

# Gooseneck with fixed/loose flange construction

SHDD(A)/F+L/W1



## Application range

- Suitable for all flat roof constructions
- For bitumen sheets and roof membranes that are approved with fixed and loose flange
- For roof entries according to DIN 18531

## Material specifications

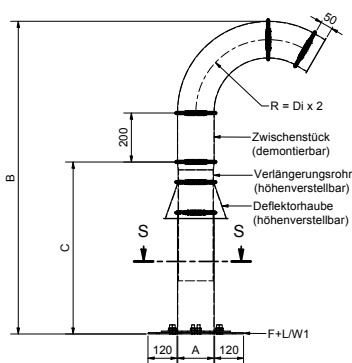
- Gooseneck (galvanized)
- Sealing elements (EPDM)

## Technical information

- Gas- and watertight with suitable sealing inserts
- Storm-proof, UV- and weather-resistant
- Non-combustible (building material class A1)
- Height and direction in galvanized version can also be changed after installation and can be swiveled 360°
- Fixed/loose flange construction with 6mm material thickness and M12 bolts
- 120 mm circumferential fixed flange and 70 mm circumferential loose flange
- Optional: two sealing inserts to prevent condensation
- Optional: 3 mm EPDM spacers depending on the manufacturer's specifications for the surface sealing
- Optional: Available in V2A and V4A (height and direction not adjustable)

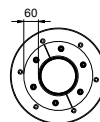
## Side view gooseneck

SHDD(A)/F+L/W1



## Gooseneck cross-section

SHDD(A)/F+L/W1



# Gooseneck with fixed/loose flange construction

SHDD(A)/F+L/W1



## Technical data

A in mm	C in mm	B in mm	Outer edge
100	From 792 to 977	From 1276 to 1461	345 mm
150	From 792 to 977	From 1401 to 1586	395 mm
200	From 792 to 977	From 1528 to 1713	445 mm
300	From 792 to 977	From 1778 to 1962	545 mm