

# Gooseneck in individual parts

SHDD(A)/VZ/Single



## Application range

- Suitable for all flat roof constructions
- For bitumen sheets and roof membranes that are approved with adhesive flange
- For roof entries according to DIN 18531

## Material specifications

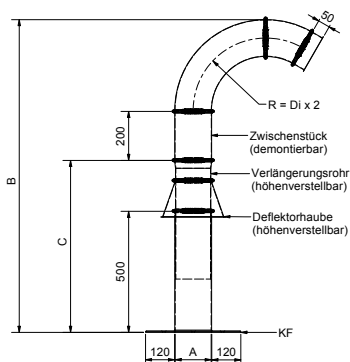
- Gooseneck (galvanized)
- Sealing elements (EPDM)

## Technical information

- Gas- and watertight with suitable sealing inserts
- Storm-proof, UV- and weather-resistant
- Non-combustible (building material class A1)
- Height and direction in galvanized version can also be changed after installation and can be swiveled 360°
- Adhesive flange construction with 10 mm material thickness
- Mounting flange designed as adhesive flange 120 mm circumferential
- Optional: two sealing inserts to prevent condensation
- Optional: Available in V2A and V4A
- Height is not adjustable for SHDD/(V2A/V4A)
- Direction can only be adjusted before installation for SHDD/(V2A/V4A)

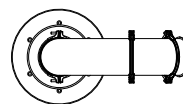
## Side view gooseneck in individual parts

SHDD(A)/VZ/Single



## Top view gooseneck in individual parts

SHDD(A)/VZ/Single



# Gooseneck in individual parts

SHDD(A)/VZ/Single



## Technical data

A in mm	C in mm	B in mm	Outer edge
100	From 792 to 977	From 1276 to 1461	345 mm
150	From 792 to 977	From 1401 to 1586	395 mm
200	From 792 to 977	From 1528 to 1713	445 mm
300	From 792 to 977	From 1778 to 1962	545 mm