



Roof entries

Flat roofs | pitched roofs



Roof entries

or flat and pitched roofs

Our roof entries fulfil the highest safety standards. You can also combine many products with our fire protection solutions. If you have any other requirements, please contact us. We will be happy to manufacture suitable customised solutions for you on request.



Watertight entries

Flexible use according to requirements

Suitable for all roof structures

For every roof: Flexible and reliably leak-tight

We offer our roof entries for both flat and pitched roofs. Professional, reliable and secure sealing is essential here in particular, just as it is for external walls. Due to increasing installation of photovoltaic and air conditioning systems, heat pumps, etc., more and more cables are being laid on the roof. Another reason: in the course of urban densification, more and more existing buildings are being extended and more technology is being placed in the upper area of the buildings.

The requirements for green roofs and urban gardening are also becoming more stringent – for example with regard to the impermeability of roofs.

There may also be roofing requirements concerning standing water, fire protection (e.g. clearances) or weather influences (e.g. UV radiation) that affect your choice of products. Whatever your projects look like, UGA has the right solution for you.

Roof entries for flat roofs

Flat roofs have a pitch of less than 10°. They occur as a warm roof (non-ventilated roof), where the waterproofing lies directly on the thermal insulation, or as a cold roof (ventilated roof), where the waterproofing layer lies directly on the supporting structure. They are also available as inverted roofs with external thermal insulation above the roof waterproofing. This makes flat roofs particularly suitable for accommodating technical building equipment.

Which UGA product you need for your project depends on many factors – such as the utilities, the number of pipes and the roof structure. The roof can also have several sealing levels. This is why all our products can be ordered with a second flexible sealing layer. Depending on the thickness of the insulation, you can even adjust the height of this on site.

Further advantages:

Flexible adaptation to the respective cable situation with 360° swivelling gooseneck

- Wide range of internal diameters from 100–300 mm available
- Maximum safety thanks to versions with double sealing
- Customisation of the overall height and the second sealing level possible

Roof entries for pitched roofs

Pitched roofs have a pitch greater than 20° and are usually covered with roof tiles. We replace individual roof tiles with our products to feed media lines (mobile phones), lines for PV systems or solar thermal systems to and seal them professionally.

You can use our products flexibly for roof pitches from 15° to 45°. Depending on the number of cables, you can choose between single and multiple feed-throughs. We offer two basic sealing options for these entries: our tried and tested sealing inserts or thermo-shrink technology.

Further advantages:

Customisation of tile shape and colour possible

- Flexible installation thanks to cable retraction in a 360° radius
- Reliable sealing via system cover and hot-shrink sleeves or rubber press seal with interchangeable insert

You benefit from our roof entries

- Customised configurations for your application in addition to the standard version
- Personal advice on sealing technology
- Quick appraisals from in-house fire protection experts if required

Double protection, flexibly customisable

Which UGA product you need for your project depends on many factors – such as the utilities, the number of pipes and the roof structure. The roof can also have several sealing levels. This is why all our products can be ordered with a second flexible sealing layer. Depending on the thickness of the insulation, you can even adjust the height of this on site.



Product name:
SHDD(A)/VZ/Seperate

Gooseneck in separate parts

Suitable for flat roofs with waterproofing membranes for adhesive flange constructions. The gooseneck in separate parts can be swivelled 360° and adapts to the roof and cable situation. The overall height is adjustable with a clearance of 350 mm.

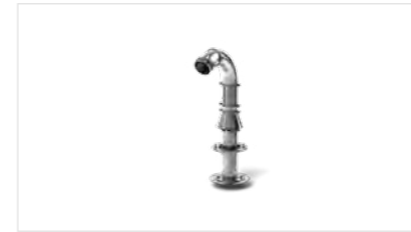
- Flexibility during installation thanks to individual parts
- 120 mm circumferential adhesive flange to DIN 18533 W1 for non-pressing water/DIN 18531
- Available inner diameters: 100, 150, 200, 300 mm



Comb.



Adjustable



Product name:
SHDD(A)/2F+L/W1

Gooseneck with double fixed/loose flange construction

Suitable for flat roofs with waterproofing membranes for fixed/loose flange constructions. The overall height is adjustable with a clearance of 350 mm and the second sealing level is height-adjustable.

- Double sealing for the second level
- Can be swivelled 360° and adapts to the roof and cable situation
- Two fixed/loose flange constructions 70 mm circumferential in accordance with DIN 18533 W1 for non-pressing water/DIN 18531
- Available inner diameters: 100, 150, 200, 300 mm



Comb.



Adjustable



Second sealing level



Product name:
SHDD(A)/VZ/Assembled

Gooseneck assembled

Suitable for flat roofs with waterproofing membranes for adhesive flange constructions. When assembled, the gooseneck can be swivelled 360° and adapts to the roof and cable situation. The overall height is adjustable with a clearance of 350 mm.

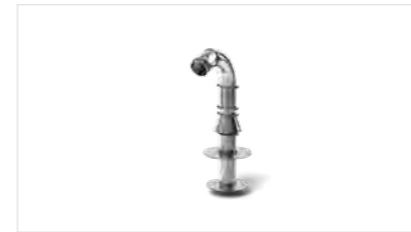
- Quick installation on the roof thanks to assembled components
- Adhesive flange 120 mm circumferential in accordance with DIN 18533 W1 for non-pressing water/DIN 18531
- Available inner diameters: 100, 150, 200, 300 mm



Comb.



Adjustable



Product name:
SHDD(A)/2KF/W1

Gooseneck with double adhesive/adhesive flange

Suitable for flat roofs with waterproofing membranes for adhesive flange constructions. The gooseneck can be swivelled 360° and adapts to the roof and cable situation. The overall height is adjustable with a clearance of 350 mm and the second sealing level is height-adjustable.

- Double sealing thanks to height-adjustable adhesive flange construction for the second level
- Two adhesive flanges 120 mm circumferential in accordance with DIN 18533 W1 for non-pressing water/DIN 18531
- Available inner diameters: 100, 150, 200, 300 mm



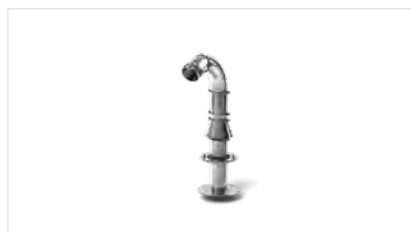
Comb.



Adjustable



Second sealing level



Product name:
SHDD(A)/KF/F+L/W1

Gooseneck with adhesive/levelling flange and fixed/loose flange construction

Suitable for flat roofs with waterproofing membranes for adhesive flange constructions and fixed/loose flange constructions. The overall height is adjustable with a clearance of 350 mm. Lower sealing level consisting of adhesive flange 120 mm circumferential and second sealing level with fixed/loose flange construction 70 mm circumferential.

- Double sealing for the second level
- Can be swivelled 360° and adapts to the roof and cable situation
- Both sealing levels in accordance with DIN 18533 W1 for non-pressing water/DIN 18531
- Available inner diameters: 100, 150, 200, 300 mm



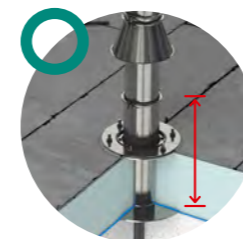
Comb.



Adjustable



Second sealing level



In the spotlight: The height-adjustable second sealing level

All products with a second sealing level have the following special feature: this level is height-adjustable. This is an advantage, for example if you have a warm roof and do not yet know exactly how thick the insulation will be. With our height-adjustable second sealing level, you remain flexible because it can still be adjusted during installation.

Legend:



Combinable with fire protection



Adjustable height



Second sealing level available



Product name:
SHDD(A)/F+L/W1

Gooseneck with fixed/loose flange construction

Suitable for flat roofs with waterproofing membranes for fixed/loose flange constructions. The gooseneck with fixed/loose flange construction can be swivelled 360° and adapts to the roof and cable situation. The overall height is adjustable with a clearance of 350 mm.

- Quick assembly thanks to assembled components
- Fixed and loose flange 70 mm circumferential in accordance with DIN 18533 W1 for non-pressing water/DIN 18531
- Available inner diameters: 100, 150, 200, 300 mm



Comb.



Adjustable



Product name:
SHDD(A)/F+L/KF/W1

Gooseneck with fixed/loose flange construction and adhesive/levelling flange

Suitable for flat roofs with waterproofing membranes for adhesive flange constructions and fixed/loose flange constructions. The overall height is adjustable with a clearance of 350 mm. Lower sealing level consisting of fixed and loose flange 70 mm circumferential and second level adhesive flange with 120 mm circumferential.

- Double sealing for the second level
- Can be swivelled 360° and adapts to the roof and cable situation
- Both sealing levels in accordance with DIN 18533 W1 for non-pressing water/DIN 18531
- Available inner diameters: 100, 150, 200, 300 mm



Comb.



Adjustable



Second sealing level



Product name:
FU-NA/KF/F+L

Wall sleeve with fixed/loose flange construction and adhesive/levelling flange

Wall sleeve with two sealing levels for subsequent dowelling on insulated flat roofs with two sealing levels. The lower sealing level is designed as an adhesive/levelling flange and the upper sealing level as a fixed/loose flange construction W1.

- Fixed flange 70 mm circumferential, loose flange 60 mm circumferential, 6 mm panel material
- Adhesive flange = 120 mm circumferential, 6 mm panel material
- High degree of customisation when adapting diameters and multiple arrangements



Comb.



Second sealing level



Product name:
FU-NA/2F+L

Wall sleeve with two fixed/loose flange constructions

Wall sleeve with two sealing levels for subsequent dowelling on insulated flat roofs with two sealing levels. The lower and upper sealing levels are designed as a fixed/loose flange construction W1.

- Fixed flange 70 mm circumferential, loose flange 60 mm circumferential, 6 mm panel material
- High degree of customisation when adapting diameters and multiple arrangements



Comb.



Second sealing level



Product name:
TDD-WE

Trapezoidal sheet metal roof entry with interchangeable insert

Trapezoidal sheet metal roof entry with interchangeable insert for sealing containers and trapezoidal sheet metal roofs. Suitable for standard circular hole saw diameters 86 mm, 102 mm, 127 mm and 152 mm, available in several versions.

- Quick and easy installation
- Entry of cables of different diameters possible
- Subsequent occupancy and/or reserve holes possible in interchangeable insert



We have your solution!

Do you have special requirements such as multiple feed-throughs or angles, or does every millimetre count in your construction project? We are happy to manufacture our feed-throughs according to your ideas. Care for a preview? In our special solutions brochure, you will find special product variants that go beyond the standard. Get in touch with us!

Legend:



Combinable with fire protection



Adjustable height



Second sealing level available

Roof entries

for flat roofs



Product name:
FDD(A)-KF

Flat roof entry with insulation

For flat roofs with waterproofing membranes for adhesive flange constructions. Cables can be pulled into the insulated head section at a radius of 360°. The height adjustability and the second sealing level can be realised with the accessory component FDD(A)-IDE-KF.

- Adhesive flange 120 mm circumferential made of V2A sheet metal
- Subsequent cable entry without additional sealing element
- Available inner diameters: 100, 160 mm
- For warm roofs, the in-roof element with FDD-IDE-KF insulation is also required



Comb.



Adjustable



Second sealing level



Product name:
FDD(A)-FF

Flat roof entry with insulation

For flat roofs with waterproofing membranes for foil flange. Cables can be pulled into the insulated head section at a radius of 360°. The height adjustability and the second sealing level can be realised with the accessory component FDD(A)-IDE-KF.

- Foil flange with different materials
- Subsequent cable entry without additional sealing element
- Available inner diameters: 100, 160 mm
- For warm roofs, the in-roof element with FDD-IDE-KF insulation is also required



Comb.



Adjustable



Second sealing level



Product name:
FDD(A)-IDE-KF

In-roof element with insulation

In-roof element with insulation for flat roofs with waterproofing membranes for adhesive flange.

- Internal element for FDD-FF and FDD-KF for roof structure
- Adhesive flange 120 mm circumferential made of V2A sheet metal
- Available inner diameters: 100, 160 mm

Roof entries

for pitched roofs



Customisable, securely sealed

You can use our products flexibly for roof pitches from 15° to 45°. Depending on the number of cables, you can choose between single and multiple feed-throughs. We offer two basic sealing options for these entries: our tried-and-tested sealing inserts or thermo-shrink technology.



Product name:
MSD-Universal/125

Multiple gable roof entry Universal

For sealing numerous cable and pipe situations on pitched roofs (15°–45°). Cable entry is possible in a radius of 360°. Universal pitched roof entry for all types of roof tiles.

- Flexible base plate is available in different colours and adapts to any roof tile shape
- Lower pipe section with outer diameter of 125 mm
- System cover and hot-shrink sleeve(s) for sealing cables or pipes from DN 16 mm to DN 78 mm or a GPD with interchangeable insert



Choice of colour



Product name:
MSD/110

Multiple gable roof entry

For sealing numerous cable and pipe situations on pitched roofs (15°–45°). Cables can be pulled in at a radius of 360°.

- High level of customisation thanks to wide range of colours and tile shape
- Lower pipe section with outer diameter of 110 mm
- System cover and hot-shrink sleeve(s) for sealing cables or pipes from DN 16 mm to DN 78 mm or a GPD with interchangeable insert



Choice of colour



Choice of shape

Our pitched roof penetrations blend harmoniously and attractively into your project – that's a promise. We are happy to adapt the tile shape and colour to your individual ideas and specifications. Get in touch with us!

Legend:



Combinable with fire protection



Adjustable height



Second sealing level available



Choice of roof tile colour



Choice of roof tile shape



Maximum GPD assignment with interchangeable insert (example)

GPD OD (A)	Maximum cable/pipe diameter			Order number split GPD against pressing water
	Z=3	Z=5	Z=9	
150 mm	up to 42 mm	up to 34 mm	up to 24 mm	GPD150/G/60/WE110(Z)x(D)

(Z) Number of cables to be sealed

(D) Diameter of the individual cables

Our products at work



FU-NA/KF/F+L/2x200/V2A



SHDD200/2KF/V4A

Downloads

From data sheets to assembly instructions – you can find more information about our products in the download area of our website. Simply scan the QR code to get there.



Installation situations and example applications

See our services for yourself in real-life application: the following installation situations and practical examples illustrate our customised solutions.



No challenge is too big for us – and every one of them can be mastered with UGA products. As you can see, we are at your side, even if there are no standard solutions. For more information, please take a look at our brochure for customised solutions.

Useful information for your construction project

We are guaranteed to find the right solution for your project. It is always important for us to comply with all applicable standards and requirements. Of course, we are always on hand to advise you. You can also find out about the most important standards in advance on our website – we have compiled everything you need to know here. Simply scan the QR code with your mobile phone.

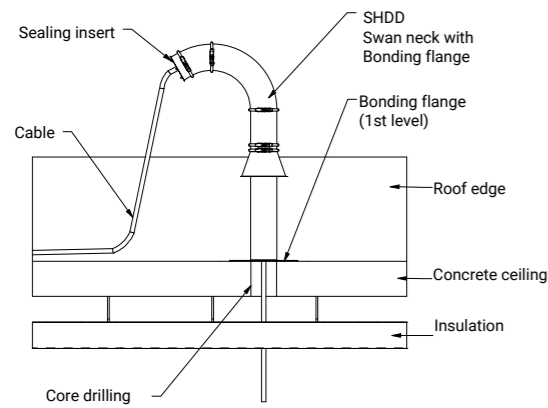


Technical assembly drawings

These drawings illustrate the advantages of our roof entries.

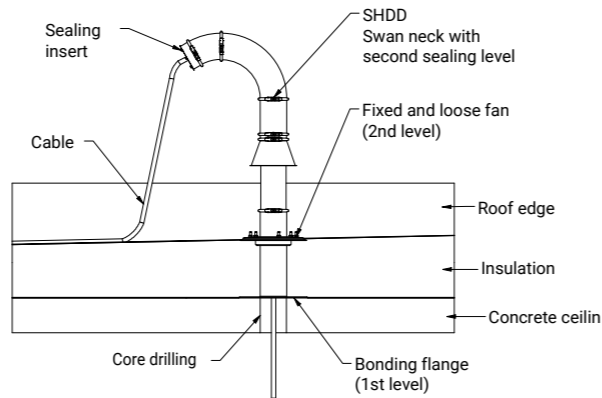
Cold roof installation situation: Flat roof with gooseneck, one sealing level

SHDD(A)/VZ/Assembled



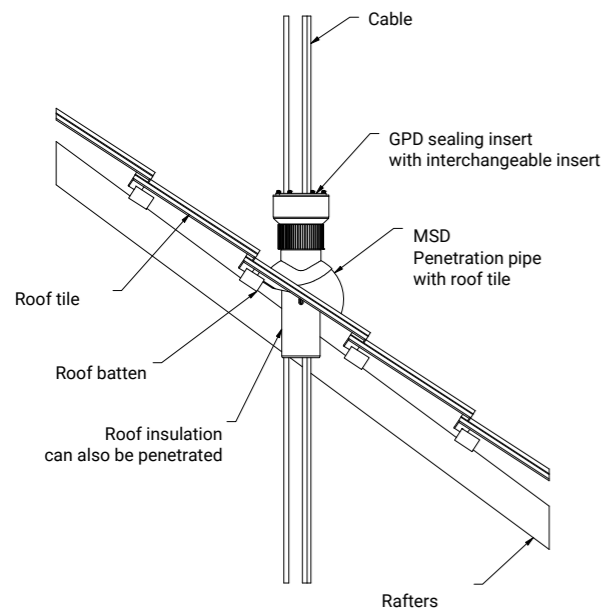
Installation situation warm roof: Flat roof with gooseneck, two sealing levels

SHDD(A)/KF/F+L/W1



Installation situation: pitched roof with multiple pitched roof entry

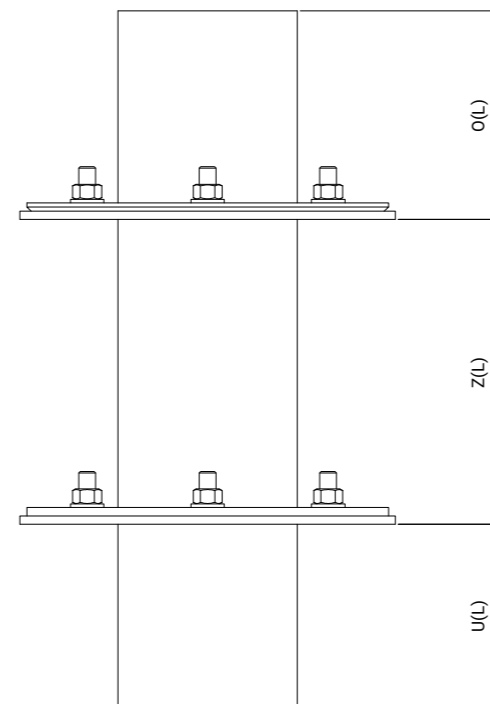
MSD-Universal/125



Technical assembly drawings

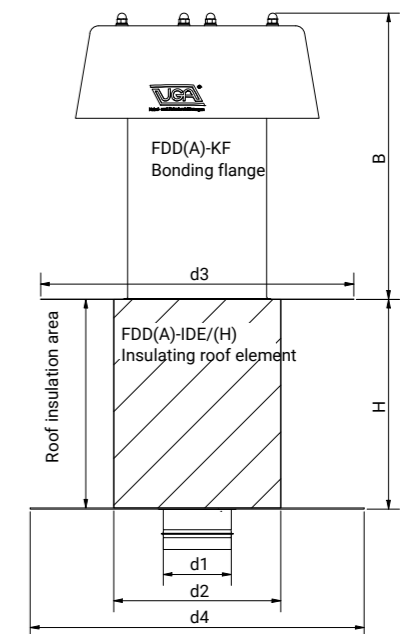
Wall sleeve with double flange construction for subsequent dowelling on insulated flat roofs with two sealing levels

FU-NA/2F+L incl. explanation of intermediate length



FDD dimensional sketch

Video instructions
Simply scan the QR code!



Dimension table for standard sizes FDD (mm)

	H	B	d4	d3	d2	d1
	FDD-IDE	FDD	FDD-IDE	FDD	FDD-IDE	FDD-IDE
DN100	300	410	480	450	240	98.5
DN160	300	475	540	510	400	158.5

Other variants are available on request. Get in touch with us!

Ideal accessories
Explore our range of accessories and practical extras on our website.
Simply scan the QR code to get there.





Grid of dotted lines for notes.

Grid of dotted lines for notes.





Get in touch with us!

E-MAIL info@uga.eu

HOTLINE +49 7324 9696-33

Contact person

Scan this QR code to find the right contact person for your in-house or field service:

